

## A. Parts Description

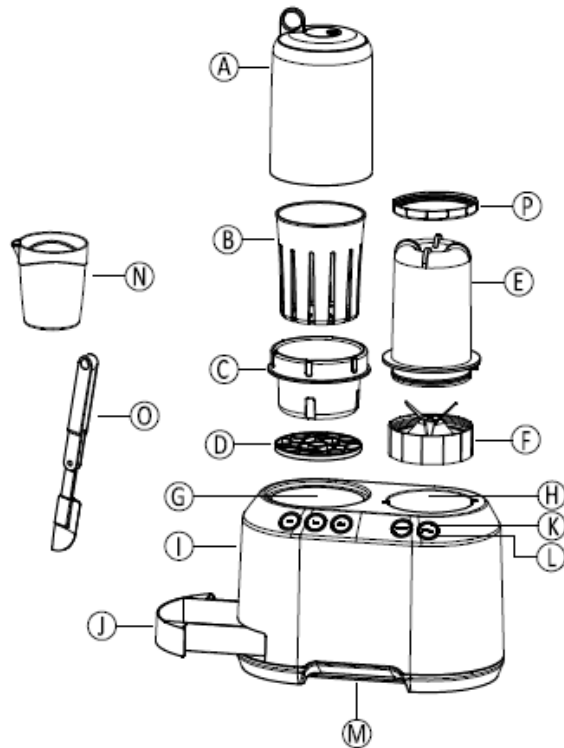


Fig. 1

A. Steamer Cover	B. Steamer Basket	C. Steamer Base
D. Insulation Spacer	E. Blender Jar	F. Blender Blade Base
G. Heater	H. Blender Buttons	I. Main Unit
J. Storage Drawer	K. Buttons	L. Button Light Indicator
M. Cord Warp	N. Measuring Cup	O. Scratcher Knife
P. Lid		

## B. IMPORTANT SAFE GUARDS

- Read this manual before use and keep this manual for future reference.
- Before plugging in the appliance, check the electrical rating shown on the rating plate corresponds with your house electricity supply.
- Do not touch hot surface. Use handles or knobs.
- Unplug from outlet when not in use, after used and before cleaning. Allow to cool before putting on or taking off parts.
- Avoid contacting moving parts.
- Usage of attachments, including canning jars, not recommended by the manufacturer may cause a risk of injury.
- Blades are sharp, please handle carefully.
- Do not blend hot liquids.
- The appliance is intended for processing small quantity of food for immediate consumption, and it is especially recommended for preparing baby food. The appliance is not intended to prepare large quantity of food at one time.
- Do not place or near a hot gas of electric burner, or inside a heated oven.
- Extreme caution when remove an appliance contains hot oil or other hot liquids.
- To disconnect, please turn off, then remove plug from wall outlet.
- Before serving be sure food is at safe temperature.
- Before serving, unplug cord from wall outlet and dish. Do not leave cord within child's reach.
- If the power cord is damaged, it must be replaced by the manufacturer or its service agents or qualified technicians.
- This appliance is not intended to be used by persons (including children) with physical or mental capabilities, lack of experience and knowledge, unless they have been given supervision or instruction.
- Children should be supervised to ensure that they do not play with the appliance.
- Switch off the appliance and disconnected from the supply before changing accessories or approaching parts that move in use.
- This appliance is intended for household use only.
- Never let the appliance operate unattended or in the way that the appliance not designed to operate.
- During operation, the warmer contains hot water.
- Put the milk bottle into the warmer before adding water.
- Before turn on the warmer, ensure water has been added.
- Do not expose the appliance and power cord to source of heat such as a radiator or high temperature.

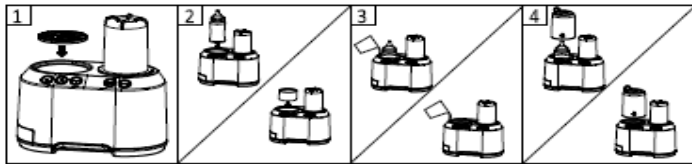
## c. Instruction for Use

### i. Preparing baby food

It can be warmed all kinds of feeding bottles as well as baby food jars and tins safely and quickly. But it is not suitable to keep liquid or food warm as vitamins may be destroyed. The time to heat up the milk or food depends on the size of the bottle and the temperature of the milk or food (e.g. room temperature 20°C or out of fridge 5°C). The following table shows the approximate warming time for different situations:

Table 2

Heating Setting		Initial food temperature	
Volume	Setting	20°C	5°C
125ml(4oz) bottle	Low	4 mins	5 mins
260ml(9oz) bottle	Low	5 mins	7 mins
330ml(11oz) bottle	Low	6 mins	8 mins
130g food jar	Low	5 mins	7 mins
190g food jar	Low	7 mins	9 mins



#### For feeding bottles:

- 1). Place the insulation spacer, assembled and filled feeding bottle in the warmer.
- 2). Close the bottle cover tightly.
- 3). For 125ml/4oz feed bottle, fill the warmer with water to just above the level of milk in the bottle. For larger bottles (260ml/9oz), fill the warmer to 15mm below the rim of the warmer.
- 4). **Note: Never put the water level over the neck of the bottle or spill over the edge of the warmer.**
- 5). The heater can be covered or left it opens.
- 6). Plug in and press the “warm” button to start the operation.
- 7). During the heating process, the indication light stays ON. When the temperature reaches the preset value, it changes to keep warm mode.
- 8). **Caution: Milk should not be overheated. Take it out when reaches the preset temperature.**
- 9). **Caution: Shake the bottle gently and check its temperature by sprinkling a few drops on to your hand before feeding.**

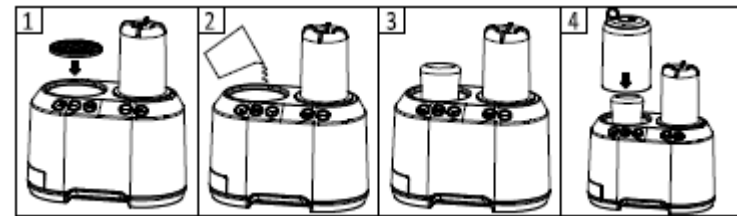
**CAUTION:**  
THE WATER INSIDE THE STEAMER MAY BE HOT!  
BE CAUTION WHEN REMOVING ANY BOTTLE AFTER COMPLETION.

#### For baby food jars and tins:

- 1). Put the insulation spacer in the heater.
  - 2). Remove the lid and place jar or tin in the heater.
  - 3). Fill the heater with water to 15mm (1/2 inch) below the top of the jar/tin.
  - 4). The heater can be covered or left it opens.
  - 5). Plug in and press the “warm” button to start the operation.
  - 6). During the heating process, the indication light stays ON. When the temperature reaches the preset value, it changes to keep warm mode.
  - 7). **Caution: Baby food should not be overheated. Take it out when reaches the preset temperature.**
  - 8). **Caution: Stir the food and check its temperature to ensure it is suitable for feeding.**
- Caution: Beware the hot water around the bottle or jars when taking out after heating process.**  
**Caution: For bottle warming or baby food heating, please refer to the timetable in Table 2.**

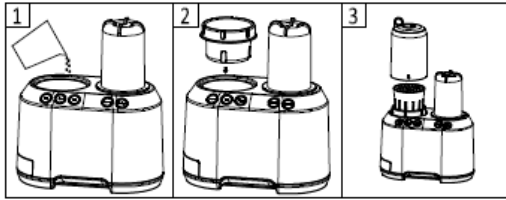
**CAUTION:**  
THE WATER INSIDE THE STEAMER MAY BE HOT!  
BE CAUTION WHEN REMOVING ANY FOOD JAR, FEEDING BOWL, OR ACCESSORIES AFTER COMPLETION.

### ii. Bottle Sterilization



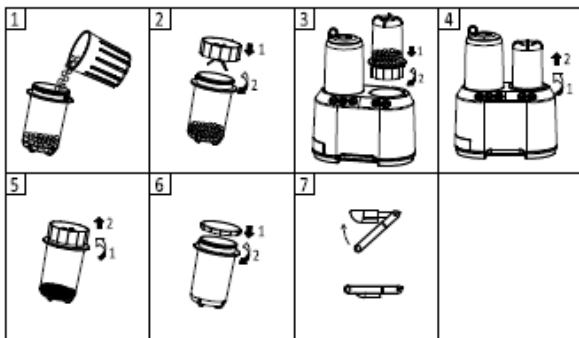
- 1). Put the insulation spacer in the heater.
  - 2). Add approximate 80ml water to the heater.
  - 3). Put the bottle upside down into the steamer and then closed it by the steamer cover.
  - 4). Plug in the unit and press the “steam” button to start the operation.
  - 5). **Warning: Steam will be come out during the sterilization process. Keep clear from the steam to avoid injury.**
  - 6). **Warning: The steamer surface is hot during the sterilization process. Please handle with care.**
  - 7). During sterilization process, the indication light stays ON. It takes about 10 minutes, press “ ” when necessary.
- Note: You can press “ ” anytime to stop the sterilization process.**
- 8). When all water in the heater is evaporated, the appliance will turn to protective mode, unless water is added.
  - 9). Please do not open the steamer cover right after the sterilization process, open the cover 4~5 minutes after its cool down.

### iii. Steaming Baby Food



- 1) Add approximate 200ml water to the steamer to the MAX. line.  
**Note: Do not use insulation spacer for steaming the baby food.**
- 2) Put the steamer base into the heater.
- 3) Cut the food into pieces and put them into basket. And put the filled basket into the steamer base. Then close the steamer cover.
- 4) Plug in and press the “steam” button to start the operation.
- 5) **Warning: Steam will be come out during the sterilization process. Keep clear from the steam to avoid injury.**  
**Warning: The steamer surface is hot during the sterilization process. Please handle with care**
- 6) During the heating process, the indication light stays ON. It normally takes 10~15 minutes, press “ ” when necessary.  
**Note: You can press “ ” anytime to stop the steaming process.**
- 7) When all water in the heater is evaporated, the appliance turns to protective mode, unless water is added.
- 8) Please do not open the steamer cover right after the steaming process, open the cover 4~5 minutes after its cool down.

### iv. Blending Baby Food



- 1) Put the cooked baby food together with the sauce into the blender jar.  
**Warning: The steamer cover and the steamer base are hot. Please handle with care to avoid injury.**
- 2) Close the blender blade base tightly to the blender jar.
- 3) Put the blender jar to the blender and turn in clockwise direction.
- 4) Plug in and press the “ ” to start blending. Press the “ ” to stop processing.
- 5) Keep pressing the “Pulse” button to start blending and release the button to stop working.
- 6) It is suggested to press “Pulse” 3 times separately, then press the “ ” to blend for 30 seconds continuously for the best performance.
- 7) **Warning: Please do not use the blender continuously for more than 1 minute. Then rest 1 minute. The food quantity should not be more than half of the container’s volume.**
- 8) Take out the blender jar and screw open the blender blade base.
- 9) Leave the food in the blender jar or move the food to another bowl to feed the baby.
- 10) **Warning: Check the food temperature before feeding to avoid injury.**
- 11) Use the scratch knife to clean the sticky food inside the blender jar.
- 12) The scratch knife can be retracted and put into the storage drawer.
- 13) The leftover food can be stored in the refrigerator by closing the lid to the blender jar. The closed container is also convenient to be carried around.

### D. Cleaning & Maintenance

- 1). **Warning: To avoid risk of electric shock, do not disassemble the warmer, or immerse it in water. Unplug the warmer and let it cool down before cleaning.**
- 2). Use clean wet cloth to clean the surfaces of the warmer.
- 3). Do not use detergents or corrosive material to clean the product.
- 4). Use boiled or filtered water in the warmer in order to reduce lime scale accumulated.
- 5). The warmer should be de-scaled **every week** to prevent the accumulation of the lime scale and affecting the heating.

#### De-scaling:

- 1). Citric Acid : 10g of citric acid with 200ml (7oz) of water and pour it into warmer. Boil 10 minutes as Section iii. After 10 minutes, switch off and unplugging from the wall outlet and leave to stand for 30 minutes. Pour it out and rinse the warmer with tap water. Citric acid is available from drug stores.
- 2). Vinegar: Pour 50ml / 2oz of vinegar (white) mixed with 100ml / 4oz of cold water into the warmer. **Boil for 5 minutes on “ steam” setting. After 5 minutes, switch off by unplugging from the wall outlet and allow to stand in the unit until any lime scale has dissolved. Empty the unit and rinse thoroughly. Any other servicing should be performed by an authorized service representative.**

### SPECIFICATIONS

Power supply: 220V ~ 50Hz

### Power consumption

Blender Power : 200W

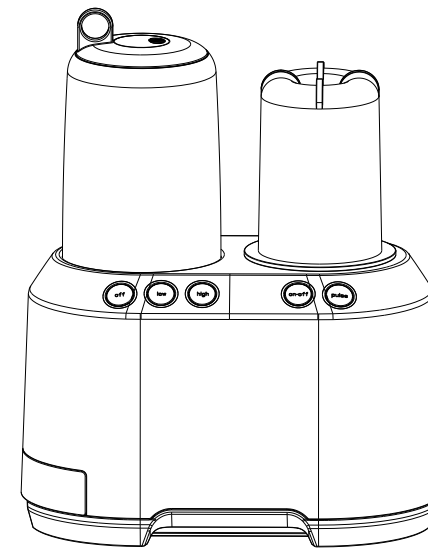
Baby Food Heater Power: 800W



BABYBELLE

## Instruction Manual

### SUPERTRIO PROCESSOR



Model: BBW03

#### Correct Disposal of this product



This marking indicates that this product should not be disposed with other household wastes throughout the EU. To prevent possible harm to the environment or human health from uncontrolled waste disposal, recycle it properly and promote the sustainable reuse of material resources. To return your used device, please use the recycled system or contact the retailer where it was purchased. They can take this product for environmental safe recycling.